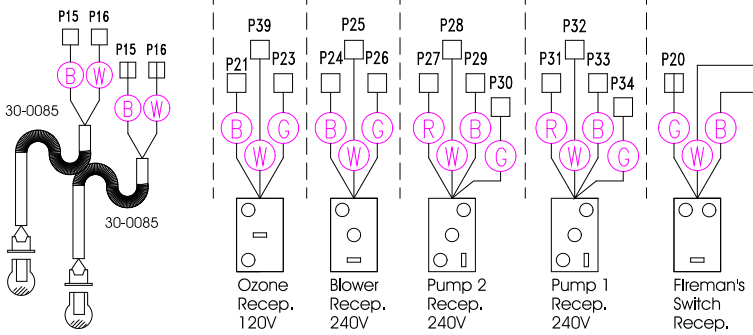
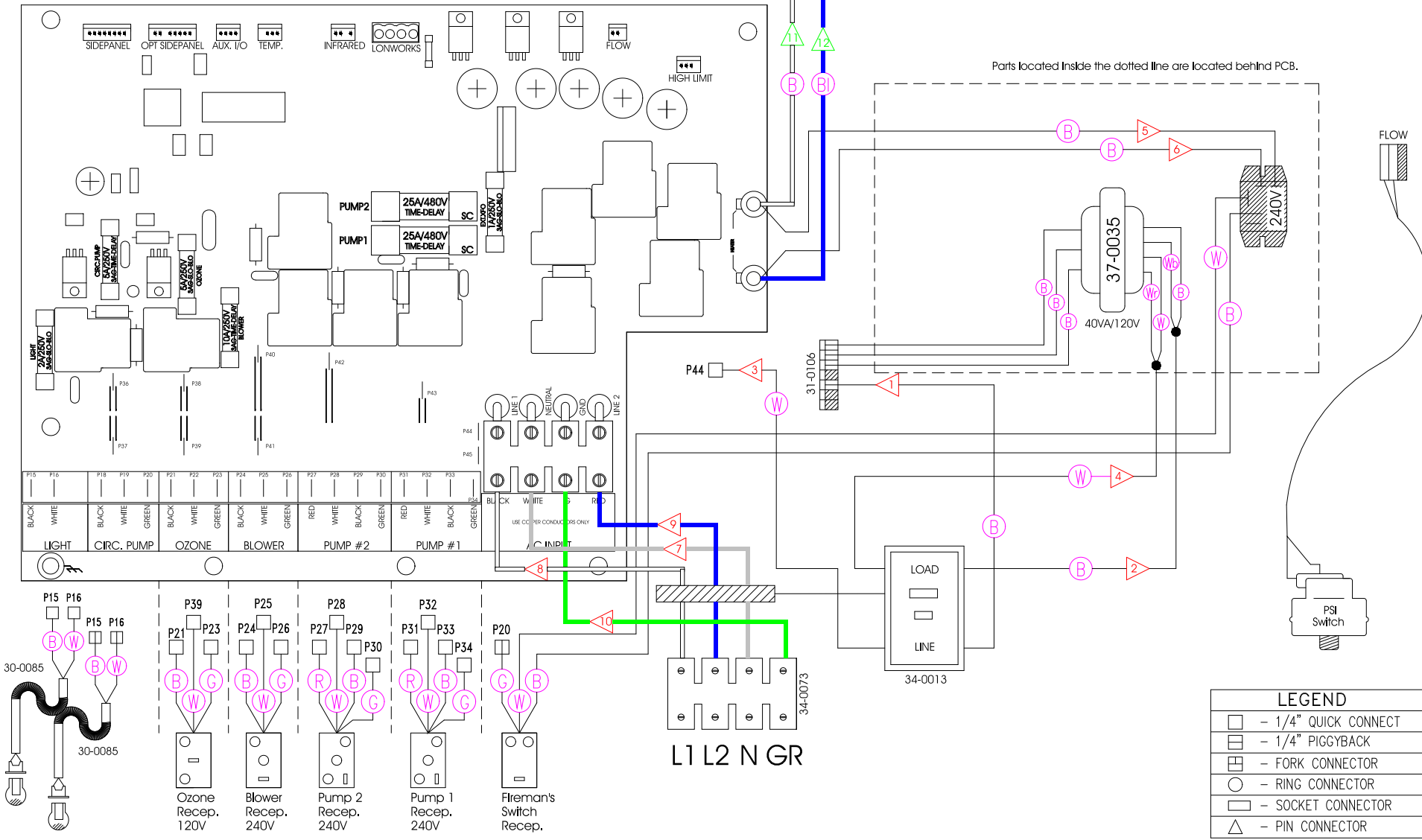


34-0203E High-Limit, 50'

26-0053 5.5kW

33-0025-R5

Parts located inside the dotted line are located behind PCB.



**HYDROQUIP**  
 13345 Estelle St.  
 Corona, CA 92879  
 Phone: (909) 273-7575 Fax: (800) 332-7190

Manufacture Notes:  
**SHADED COMPONENTS ARE 240V**

Dwg. No.: D222AH-KLPQY-J  
 Drawn By: BH  
 Date: 05.20.02  
 Diagram No.: 5116

Rev. 3  
**Wire Color Code**  
 B - Black G - Green  
 Br - Brown Bl - Blue  
 R - Red V - Violet  
 O - Orange W - White  
 Y - Yellow Gr - Gray